



Telephone & Data Sockets



In creating the modern, aesthetically pleasing and ergonomic design of the CURVA range we did not lose sight of the need to produce a true value for money product offering the upmost appeal to installers and end users alike.

Only the best quality raw materials were used in producing this durable, attractive and modern range of accessories which will adorn the walls of all manner of buildings for years to come.

Telephone & Data Sockets

Product Range

Telephone Sockets

CCA119	Single Telephone Outlet - Master
CCA122	Twin Telephone Outlet - Master
CCA124	Single Telephone Outlet - Secondary
CCA127	Twin Telephone Outlet - Secondary

Data Outlets

CCA115	RJ11 (Irish/US) Outlet
---------------	------------------------



CCA115



CCA119



CCA122



CCA124

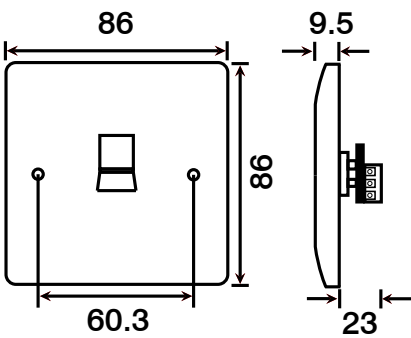


CCA127

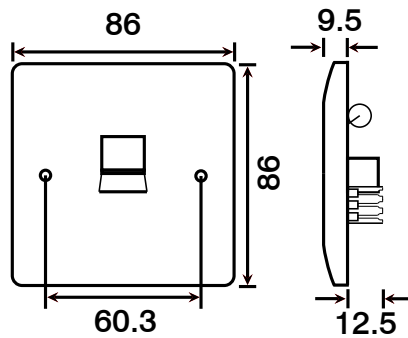
Telephone & Data Sockets

Product Dimensional Drawings (mm)

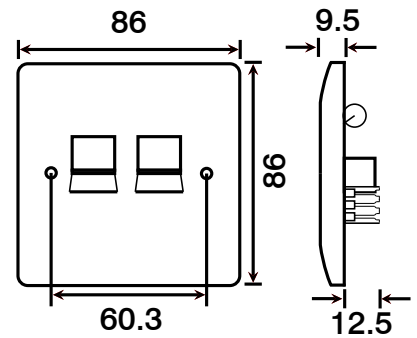
CCA115



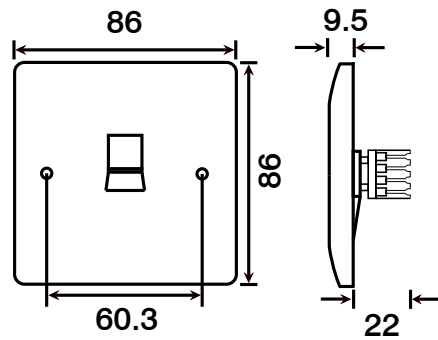
CCA119



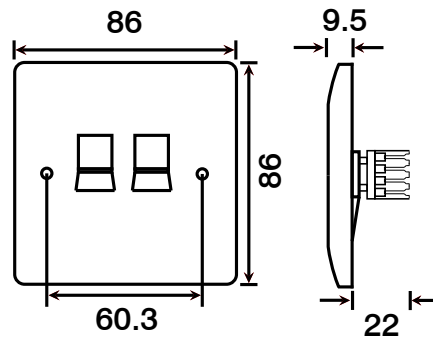
CCA122



CCA124



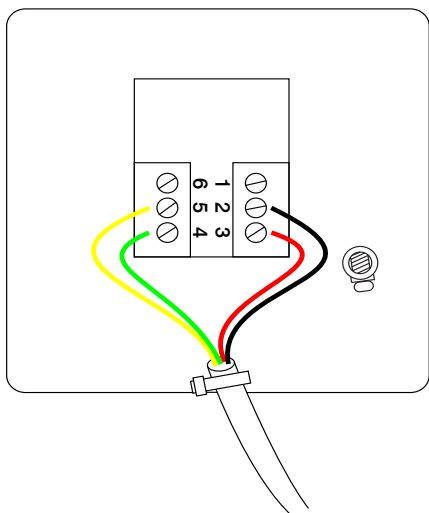
CCA127



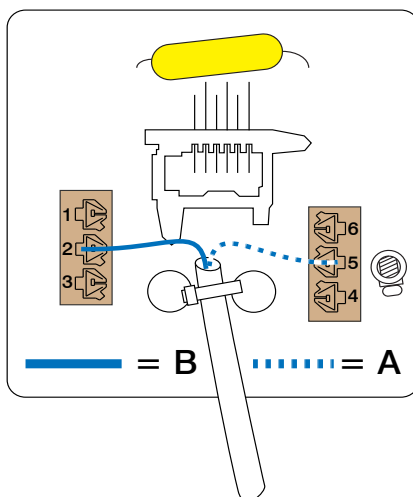
Telephone & Data Sockets

Wiring Diagrams

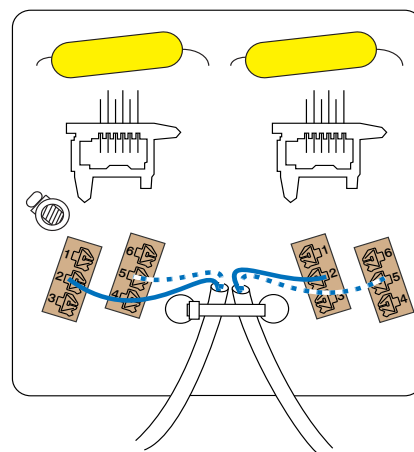
CCA115



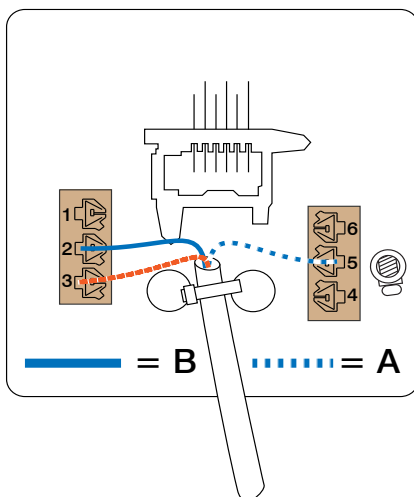
CCA119



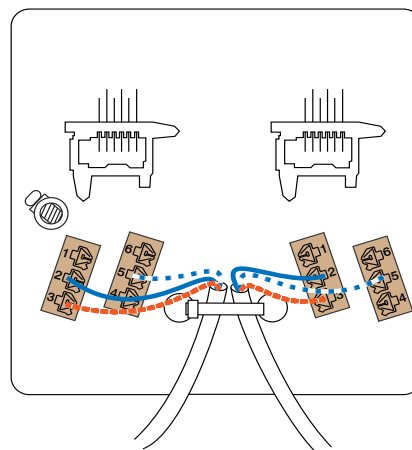
CCA122



CCA124



CCA127



Telephone & Data Sockets

Technical Specification

Telephone & Data Sockets

Material Composition	Front Plate: Urea
Connection Types	RJ11 Socket - Screw Terminals RJ45 & Telephone Sockets - IDC
Back Box Depth	16mm - 47mm
Warranty	10 Years
Anti Microbial Certified	Yes
IP Rating	IP20
Operational Temperature	-5° to +40°C
Standards	The Low Voltage Directive 2006/95/EC BS 6312-2-2:1997 (where applicable) BS EN 50173-1:2011 (where applicable) BS 5733:1995 (where applicable) Modified ISO 22196

Additional Information

All white moulded accessories are manufactured using Urea Formaldehyde, which has similar inherent properties to antimicrobial additives that inhibit the growth of infectious diseases. All products were independently tested and achieved a 99.9% kill rate across all four types of the strains of bacteria - MRSA, E-Coli, Salmonella, and Klebsiella Pneumoniae.



DECLARATION OF CONFORMITY

- 1. *Issuer Name* Scolmore International Limited
- 2. *Issuer Address* 1 Scolmore Park, Landsberg,
Lichfield Road Industrial Estate,
Tamworth, Staffordshire, B79 7XB
- 3. *Object(s) of Declaration* Curva Range
 - a. *Group* Telephone & Data Socket Outlets
 - b. *Model No.* CCA115, CCA119, CCA122, CCA124, CCA127
- 4. *The object of the declaration described above is in conformity with the requirements of the following Legislations:*

Document No	Title
2006/95/EC	Low Voltage Directive

5. *All products contained within the aforementioned comply with the relevant standards and requirements listed below.*

- BS 6312-2-2 : 1997 (where applicable)
- BS EN 50173-1 : 2011 (where applicable)
- BS 5733 : 1995 (where applicable)

6. *I hereby declare that the equipment named above has been designed to comply with the relevant sections of the above referenced specifications. The unit complies with all applicable Essential Requirements of the Directives.*

In conjunction with the above all manufacture and process controls are in accordance with ISO 9001:2008

Signed, for and on behalf of: Scolmore International Limited

Steven Bettson BSc - Senior Technical Support Engineer

